

Schall-Ex® L-15/30 WS

DETAILS

Articlenumber	1-880
Function	hinged door
Türenmaterial	timber, metal
Application	interior door
Usage	sound protection, smoke protection, fire protection, accessibility

TECHNICAL DATA

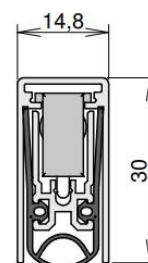
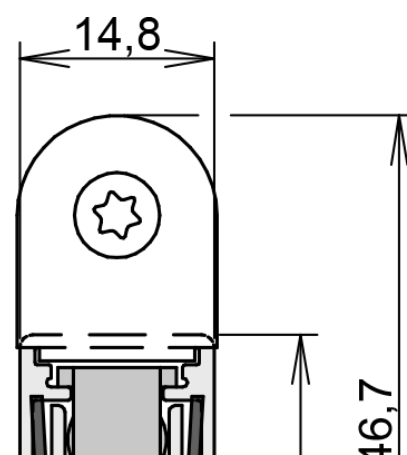
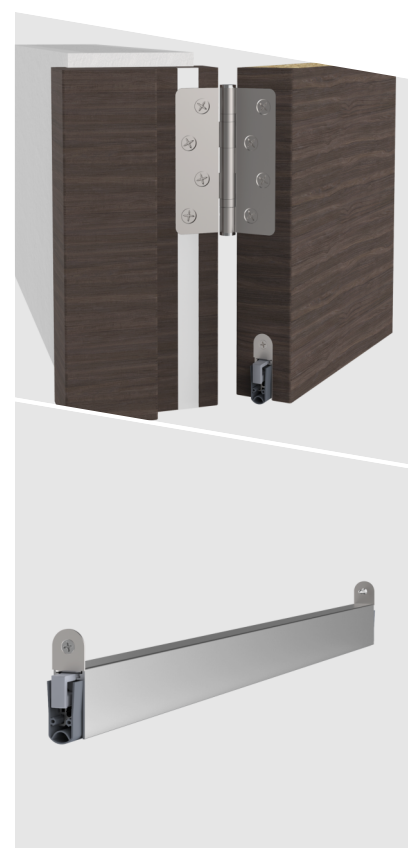
Width	14.8 mm
Height	30 mm
Min. delivery length	235 mm
Max. delivery length	2000 mm
Standard length	708, 833, 958, 1083, 1208 mm
max. travel	20 mm
Actuation	single-sided
Actuator	sliding acuator
Outerprofile	aluminium
Surface	plate finish
Sealingprofile	silicone, self-extinguishing

FITTING

Fixing	WS - fixing brackets
Espagnolette bolt	yes

EXAMINATIONS AND CERTIFICATES

Sound	yes
Permanent function IM	yes
Mio Certificate	yes
Leakage rate certificate	yes
Corrision test	yes
Corrision	yes
Barrier free	yes
UL	yes



Schall-Ex® L-15/30 WS

EPD yes

Certifire yes

